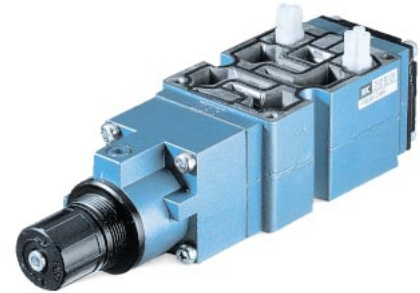


Sandwich pressure regulator with manual adjust.

OPERATIONAL BENEFITS

1. Easy mounting : saves on installation costs in comparison with inline regulators.
2. Allows to have compact, all-included units.
3. Large orifice provides high flow.
4. Various functions available.
5. Simple, reliable and solid design.



HOW TO ORDER

Reset

REGULATORS FOR "PLUG-IN" VALVES

Gauges	Single pressure Regulator A end Same regulated pressure to ports A and B	Single pressure Regulator B end Same regulated pressure to ports A and B	Dual pressure Regulator A end Regulated pressure to port B *	Dual pressure Regulator B end Regulated pressure to port A *	Dual pressure Dual regulator Two regulated pressures to ports A and B *
No gauge	PR63C-22AA	PR63C-21AA	PR63C-24AA	PR63C-23AA	PR63C-25AA
Glycerine filled gauge on regulator	PR63C-22BA	PR63C-21BA	PR63C-24BA	PR63C-23BA	PR63C-25BA
Glycerine filled gauge opposite to regulator	PR63C-22CA	PR63C-21CA	PR63C-24CA	PR63C-23CA	PR63C-25CA
Glycerine filled gauges both ends	-----	-----	PR63C-24DA	PR63C-23DA	PR63C-25DA

REGULATORS FOR "NON PLUG-IN" AND REMOTE AIR VALVES

Gauges	Single pressure Regulator A end Same regulated pressure to ports A and B	Single pressure Regulator B end Same regulated pressure to ports A and B	Dual pressure Regulator A end Regulated pressure to port B *	Dual pressure Regulator B end Regulated pressure to port A *	Dual pressure Dual regulator Two regulated pressures to ports A and B *
No gauge	PR63C-32AA	PR63C-31AA	PR63C-34AA	PR63C-33AA	PR63C-35AA
Glycerine filled gauge on regulator	PR63C-32BA	PR63C-31BA	PR63C-34BA	PR63C-33BA	PR63C-35BA
Glycerine filled gauge opposite to regulator	PR63C-32CA	PR63C-31CA	PR63C-34CA	PR63C-33CA	PR63C-35CA
Glycerine filled gauges both ends	-----	-----	PR63C-34DA	PR63C-33DA	PR63C-35DA

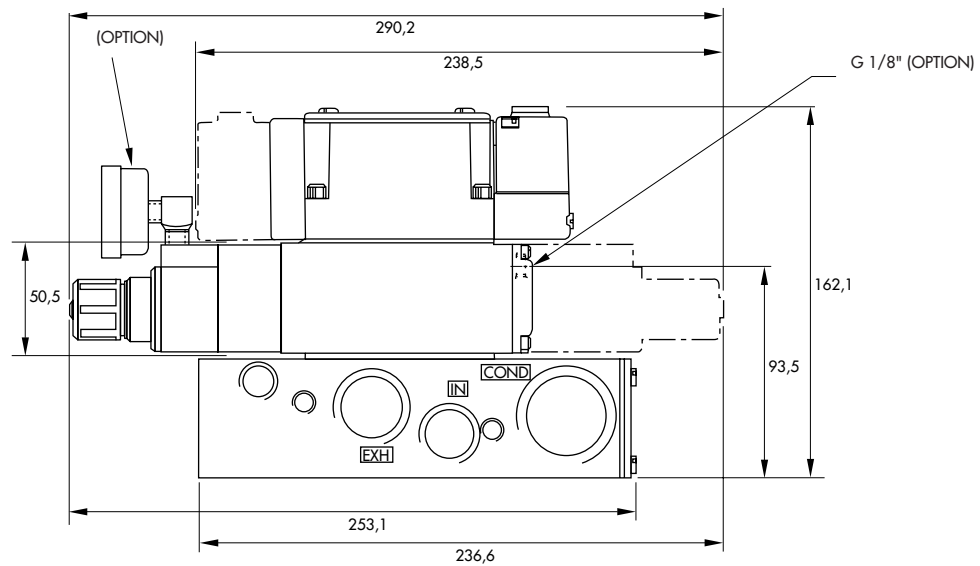
* To be used with dual pressure valves.

**TECHNICAL
DATA**

Fluid :	Compressed air, inert gases
Pressure range :	0 to 10 bar
Regulating range :	0.5 to 8.5 bar
Lubrication :	Not required, if used select a medium aniline point lubricant (between 80°C and 100°C)
Filtration :	40 µ
Temperature range :	-18°C to +50°C
Flow (at 6 bar, ΔP=1bar) :	2400 NI/min (C _v 2.4)

Spare parts : • Pressure regulator : PR63C-01AA.

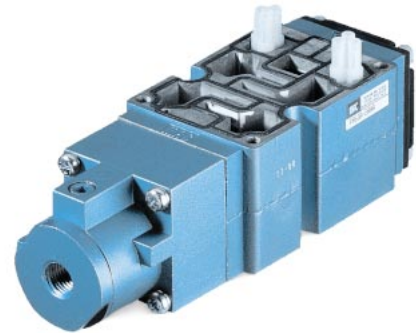
DIMENSIONS



Sandwich pressure regulator with air adjust.

OPERATIONAL BENEFITS

1. Easy mounting : saves on installation costs in comparison with inline regulators.
2. Allows to have compact, all-included units.
3. Large orifice provides high flow.
4. Various functions available.
5. Simple, reliable and solid design.



HOW TO ORDER

Reset

REGULATORS FOR "PLUG-IN" VALVES

Gauges	Single pressure Regulator A end Same regulated pressure to ports A and B	Single pressure Regulator B end Same regulated pressure to ports A and B	Dual pressure Regulator A end Regulated pressure to port B *	Dual pressure Regulator B end Regulated pressure to port A *	Dual pressure Dual regulator Two regulated pressures to ports A and B *
No gauge	PR63C-2BAA	PR63C-2AAA	PR63C-2DAA	PR63C-2CAA	PR63C-2EAA
Glycerine filled gauge on regulator	PR63C-2BBA	PR63C-2ABA	PR63C-2DBA	PR63C-2CBA	PR63C-2EBA
Glycerine filled gauge opposite to regulator	PR63C-2BCA	PR63C-2ACA	PR63C-2DCA	PR63C-2CCA	PR63C-2ECA
Glycerine filled gauges both ends	-----	-----	PR63C-2DDA	PR63C-2CDA	PR63C-2EDA

REGULATORS FOR "NON PLUG-IN" AND REMOTE AIR VALVES

Gauges	Single pressure Regulator A end Same regulated pressure to ports A and B	Single pressure Regulator B end Same regulated pressure to ports A and B	Dual pressure Regulator A end Regulated pressure to port B *	Dual pressure Regulator B end Regulated pressure to port A *	Dual pressure Dual regulator Two regulated pressures to ports A and B *
No gauge	PR63C-3BAA	PR63C-3AAA	PR63C-3DAA	PR63C-3CAA	PR63C-3EAA
Glycerine filled gauge on regulator	PR63C-3BBA	PR63C-3ABA	PR63C-3DBA	PR63C-3CBA	PR63C-3EBA
Glycerine filled gauge opposite to regulator	PR63C-3BCA	PR63C-3ACA	PR63C-3DCA	PR63C-3CCA	PR63C-3ECA
Glycerine filled gauges both ends	-----	-----	PR63AC-3DDA	PR63C-3CDA	PR63C-3EDA

* To be used with dual pressure valves.

**TECHNICAL
DATA**

Fluid :	Compressed air, inert gases
Pressure range :	0 to 10 bar
Regulating range :	0.5 to 8.5 bar
Lubrication :	Not required, if used select a medium aniline point lubricant (between 80°C and 100°C)
Filtration :	40 µ
Temperature range :	-18°C to +50°C
Flow (at 6 bar, ΔP=1bar) :	2400 NI/min (C _v 2.4)

Spare parts : • Pressure regulator : PR63C-0AAA.

DIMENSIONS

